

Barkbusters

www.barkbusters.net

**ADAPTOR KIT for
MT07 & MT09**
(to be used with STM-007-01 or S7)

IMPORTANT:

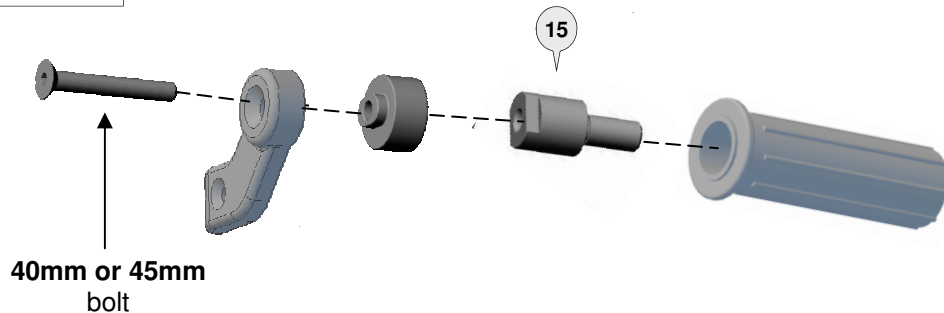
This adaptor kit is to be used in conjunction with the instructions and handguard kit STM-007-01 or S7.

INSTRUCTIONS:

- Ensure bolt M8x40mm or M8x45mm Flat Head is used.
- A medium thread locking compound applied to the Threaded Adaptor (15) is recommended.
- Remove Original bar end weight.
- Insert the Threaded Adaptor (15).
- Tighten threaded adaptor (15) into the handlebar to 20 Nm (14.8 lbf ft).



LEFT SIDE



INS-B-083

Phone: +61 (0)2 4271 8244
Email: info@barkbusters.net

Barkbusters

www.barkbusters.net

**ADAPTOR KIT for
MT07 & MT09**
(to be used with STM-007-01 or S7)

IMPORTANT:

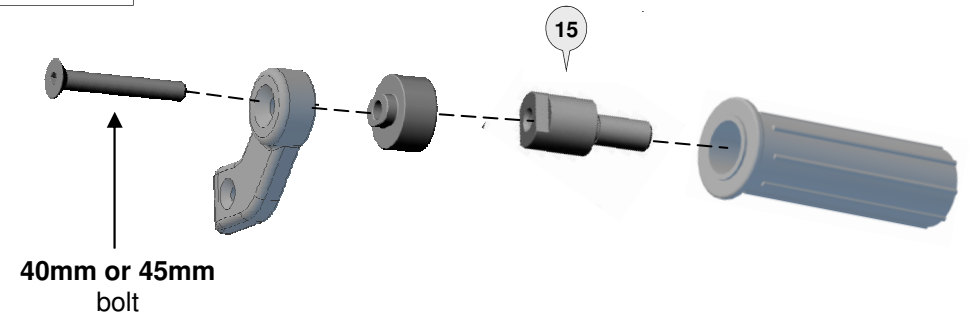
This adaptor kit is to be used in conjunction with the instructions and handguard kit STM-007-01 or S7.

INSTRUCTIONS:

- Ensure bolt M8x40mm or M8x45mm Flat Head is used.
- A medium thread locking compound applied to the Threaded Adaptor (15) is recommended.
- Remove Original bar end weight.
- Insert the Threaded Adaptor (15).
- Tighten threaded adaptor (15) into the handlebar to 20 Nm (14.8 lbf ft).



LEFT SIDE



INS-B-083

Phone: +61 (0)2 4271 8244
Email: info@barkbusters.net